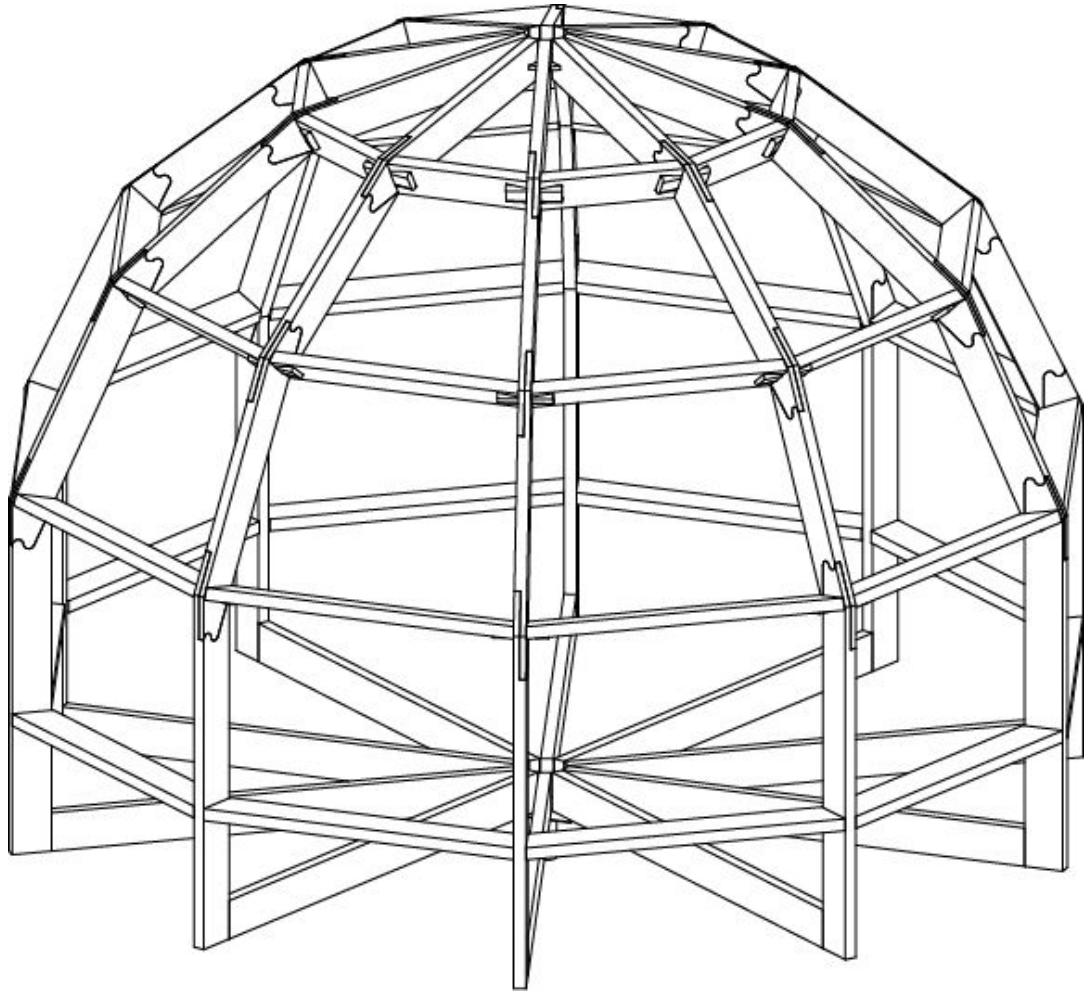
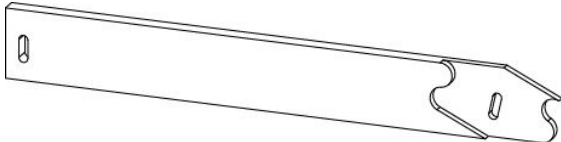
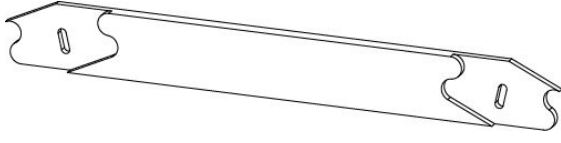
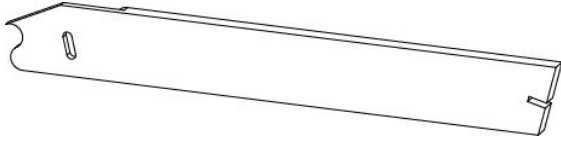

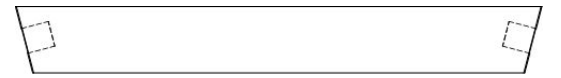
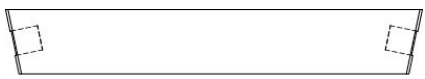
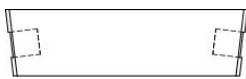
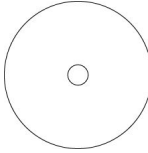



Z4



DOBROSFERA

Delivery set

Б1		10
Б2		20
Б3		10
P1		10
P2		10
P3		10
P4		10
Д		1
Н		40

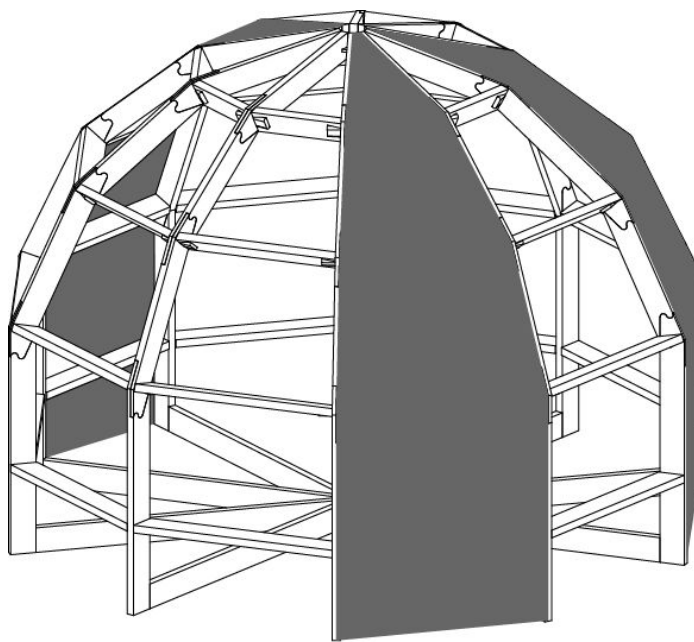
A foundation piles and floor lags are not included in the delivery set.



Attention! Be sure to read this section before assembling.

Before proceeding with the assembly of the frame, prepare sawn OSB elements, 12 mm thick (map of pattern see below), a screws, a screwdriver and drills for pre-drilling under self-tapping screws. All of this you will need during assembly.

During assembly, be sure to fix a frame, securing the cladding on each



assembled horizontal tier. For the stability of the frame it is necessary to sew a minimum of three vertical sections of 10 - sew up from the bottom to the top.

In the picture on the left, the minimum required cladding of frame is shown in a dark color.

For installation of the cladding, please use galvanized screws 4,5x60 every 20 cm perimeter. To drill 3,5 mm by 30 mm deep into the frame.

To piece together the constituent elements of the cladding, consisting of several parts is required.

The frame must be fixed on metal plates on top of the pile with a bolt screw from below through the head to the vertical beam with preliminary drilling with a depth of 120-150 mm.

It is important!

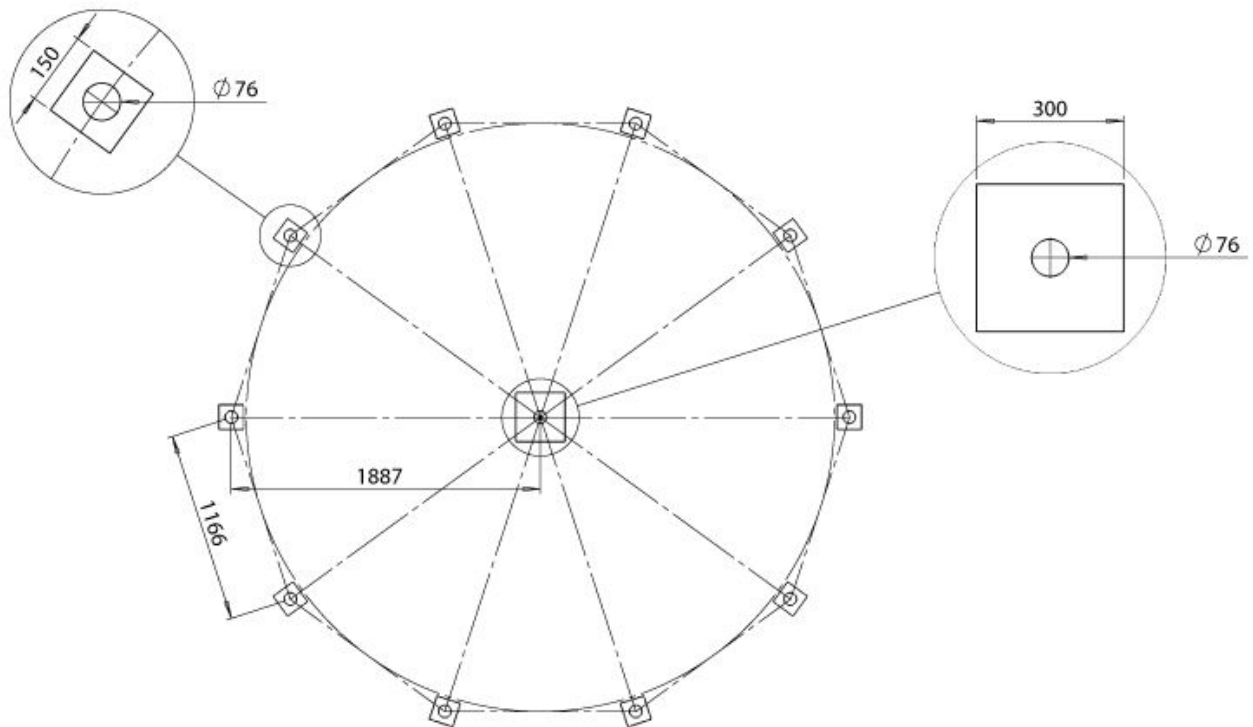
Never pick up the next horizontal tier of the frame, without securing the previous covering!

Remember that this can lead to collapse of the frame, serious injuries and even death. Strictly adhere to the assembly instructions!

For work at a height, use only specialized auxiliary equipment. Be sure to use a construction helmet, insurance and assistants.

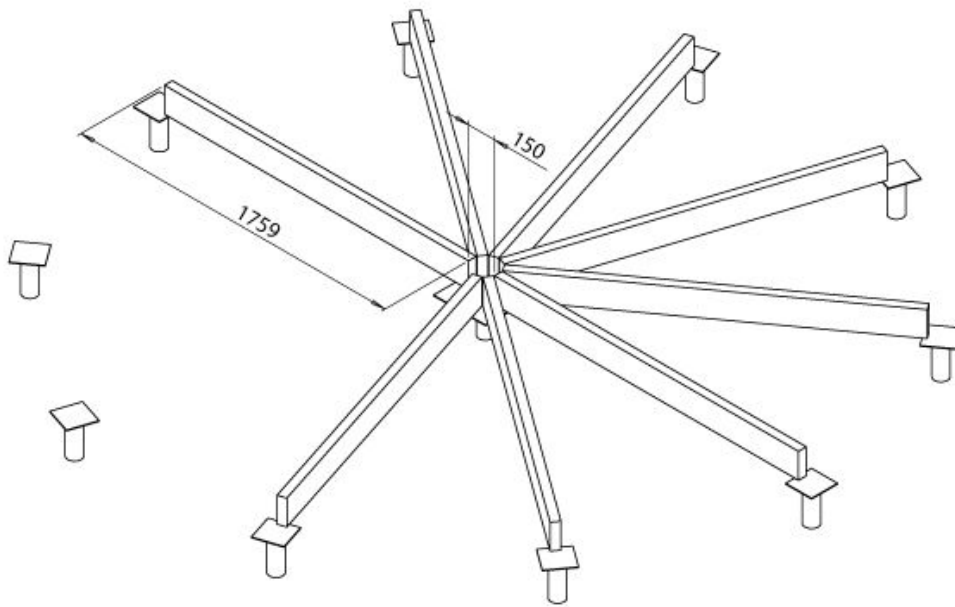
If you are not sure in your abilities, recruit specialists for installation.

Foundation - screw piles



It is possible to use a band or monolithic foundation; combining of perimeter piles and concrete support in the center; other types of foundations.

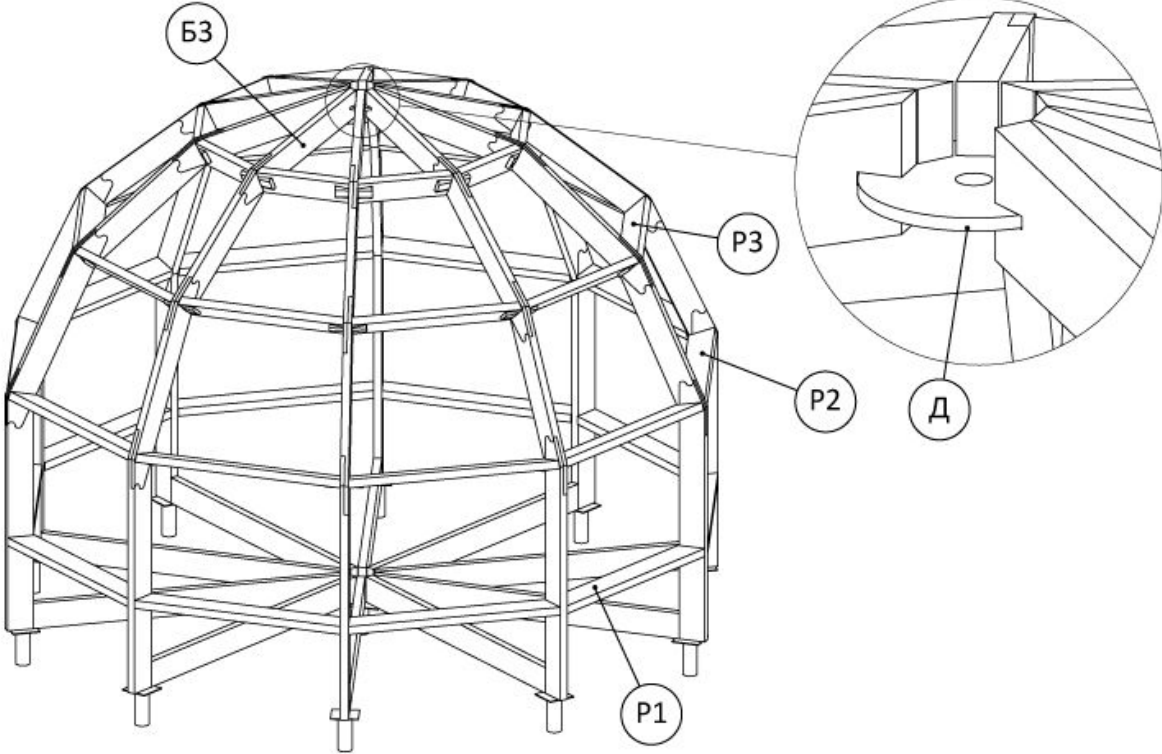
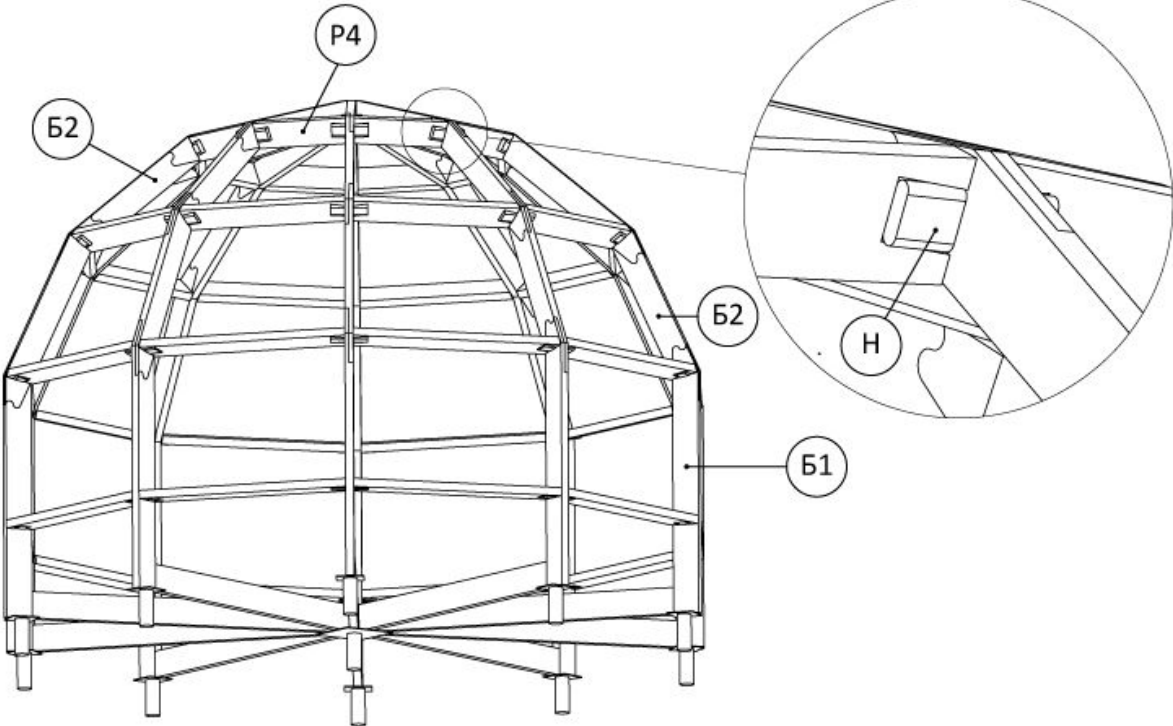
Lags of the floor



The lag of the floor is a regular board 150x50x1759 mm.

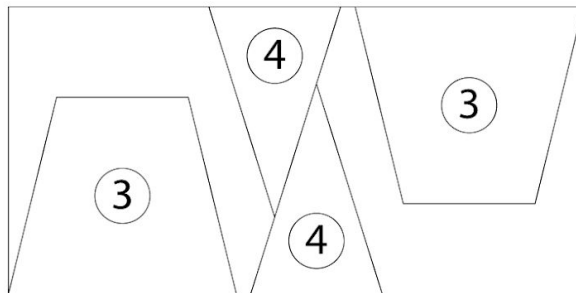
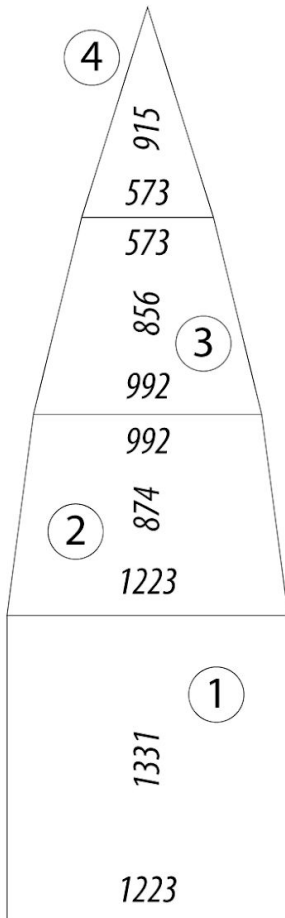
For the dome it is necessary to make 10 pieces.

Mounting of nagels and peack

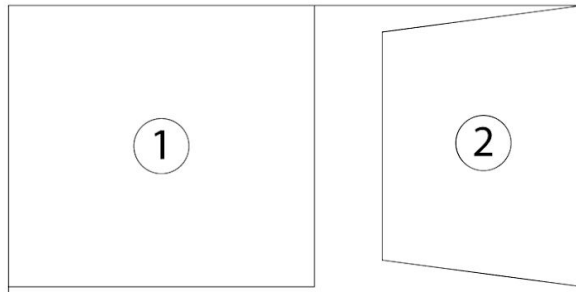


Sheet of frame cladding

Presented for OSB size 12x1250x2500. Trimming of the material will go to underfloor heating. Sheathing is not included in the delivery set and it is manufactured independently.



5 ЛИСТОВ



10 ЛИСТОВ

Important notes

The constructor is made of solid wood of coniferous trees - a living, natural material. The presence of irregularities, knots, roughness and cracks in the frame elements is acceptable, which is not a material defect and does not affect the strength of the construction.

Features of storage and the maintenance

The constructor should be used for its intended purpose as a dome house, which is lined from the outside and roofed with a roof.

It is recommended to cover all wooden frame elements with a protective formulation, selected according to the planned operating conditions.

You should keep the constructor in a cool dry place, protected from direct sunlight and precipitation, ensuring free circulation of air around the elements, away from heat sources, high humidity and extraneous odors.

The guarantee

The manufacturer sets a warranty period of one year for the constructor. At the same time, the change in the physical parameters of the designer (wood) arising from improper storage or operation is not a warranty case.

Reference information

The table shows the characteristics of the constructor Dobrosfera Z4 for an approximate calculation of the estimate.

No	Name	Unit of meas.	Quantity
1	Total surface area	m ²	36
2	The area of the vertical part	m ²	20
3	Surface area of the dome	m ²	16
4	Quantity of OSB sheets for cladding	pieces	15